



ТОВ «ГАЙДРЕКС УКРАЇНА» офіційний постачальник FINN ROTOR



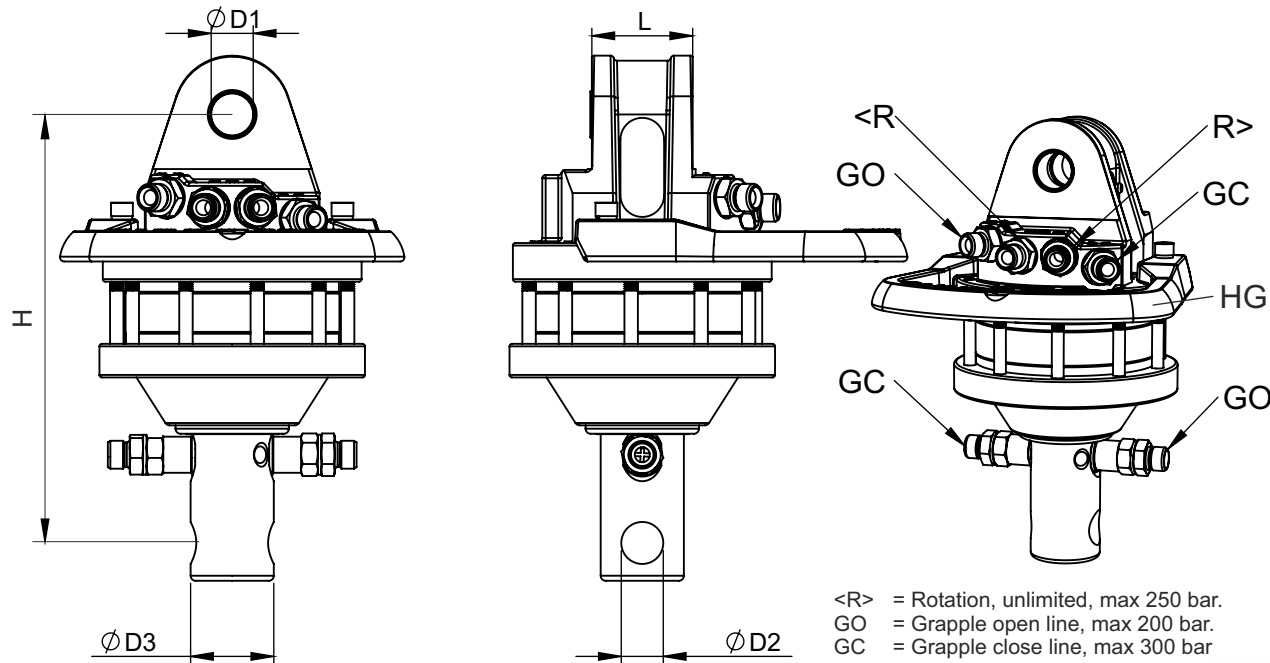
ТОВ «ГАЙДРЕКС УКРАЇНА»

Тел.: +38 095 710 01 20

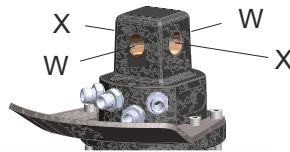
Тел.: +38 066 515 33 47

mail: info@hydrexukraine.com.ua

сайт: www.hydrexukraine.com.ua



<R> = Rotation, unlimited, max 250 bar.
 GO = Grapple open line, max 200 bar.
 GC = Grapple close line, max 300 bar



Code	Connectors*	Product	ØD1 mm	ØD2 mm	ØD3 mm	L mm	H mm	Nm	kN	kN	kg	TOP shape	HG
70100	-111	CR 100-W25A20	25	20	39.5	45	219.5	450	10	5	10		S
70101	-111	CR 100-W1"A20	1in	20	39.5	45	219.5	450	10	5	10		S
70300	-222	CR 300-W25A25	25	25	49.5	60	255	900	30	15	16		S
70301	-222	CR 300-W1"A1"	1in	1in	49.5	60	255	900	30	15	16		S
70304	-222	CR 304-W25A25	25	25	49.5	60	255	900	30	15	16		ST
70311	-222	FR 7c-W25A25	25	25	49.5	60	262,5	900	30	15	16		PL
70314	-222P	FR 7c-X24A24	24	24	49.5	60	262,5	900	30	15	16		PL
70320	-222P	CR 320-W25A25	25	25	49.5	60	262,5	900	30	15	16		S
70322	-222	CR 320-X25A25	25	25	49.5	60	262,5	900	30	15	16		S
70400	-222	CR 400-W25A30	25	30	59	73	273	1100	45	25	23		S
70401	-222	CR 400-W25A30(D68)	25	30	68	73	273	1100	45	25	24,5		S
70404	-222	CR 400S-W25A30	25	30	59	73	273	1100	45	25	23		ST
70410	-222	CR 410-W25A30	25	30	59	73	289	1100	45	25	23		PL
70415	-222P	FR 10c-X25A30	25	30	59	73	289	1100	45	25	23		PL
70416	-222	FR 10c-W25A30	25	30	59	73	289	1100	45	25	23		PL
70500	-222	CR 500-W30A30	30	30	69	73	284	1400	55	25	28		S

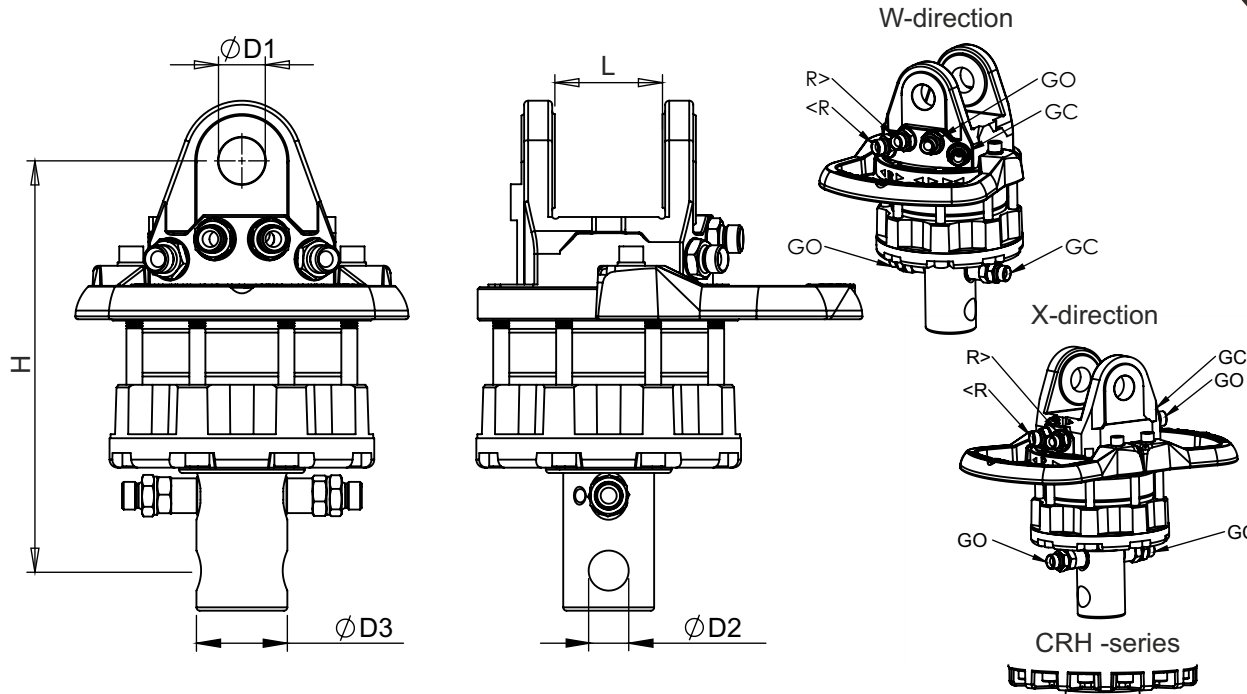
Pin hole direction: W=0 , X= 90

Connectors:
 1=BSP 1/4" 2=BSP 3/8" 3=BSP 1/2"
 4=JIC 9/16-18 5=JIC 3/4-16 8=DIN M18x1,5
 9=DIN M22x1,5 0=Plastig plug S=Steel plug

HG
 S = Standard, cast iron
 ST = Casted steel
 PL = Steel plate

*) "standard", other versions also available





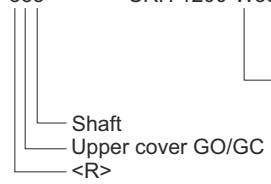
CR -SERIES

- <R> = Rotation, unlimited, max 250 bar.
- GO = Grapple open line, max 200 bar.
- GC = Grapple close line, max 300 bar

CRH -SERIES

- <R> = Rotation, unlimited, max 250 bar.
- GO = Grapple open line, max 300 bar.
- GC = Grapple close line, max 300 bar

Code	Connectors*	Product	ØD1 mm	ØD2 mm	ØD3 mm	L mm	H mm	Nm	kN	kN	kg	TOP shape	HG
70602	-333	CR 600-W35A35(D78)	35	35	78	80	310.5	1800	60	30	36	U	S
70602L	-333	CR 600L-W35A35(D78)	35	35	78	80	310.5	1800	60	30	38		L
70603	-333	CR 600-X35A35(D78)	35	35	78	80	310.5	1800	60	30	38		S
70604	-333	CR 600-X35A30(D68)	35	30	68	80	306,5	1800	60	30	37		S
70605	-333	CR 600-W35A30(D68)	35	30	68	80	306,5	1800	60	30	35		S
70605L	-333	CR 600L-W35A30(D78)	35	30	68	80	306,5	1800	60	30	37		L
71004	-333	CR 1000-W35A35(D78)	35	35	78	80	331	2700	100	50	50		S
71005	-333	CR 1000-X35A35(D78)	35	35	78	80	331	2700	100	50	52	S	
71203	-333	CRH 1200-X35A35(D88)	45	35	88	100	417	2900	120/ -60	90/ -45	73	U	S
71204	-333	CRH 1200-W35A35(D88)	45	35	88	100	417	2900	120/ -60	90/ -45	71		S



Upper cover model ^o

Connectors:
 1=BSP 1/4" 2=BSP 3/8" 3=BSP 1/2"
 4=JIC 9/16-18 5=JIC 3/4-16 8=DIN M18x1,5
 9=DIN M22x1,5 0=Plastig plug S=Steel plug
 *) "standard", other versions also available

HG
 S = Standard, cast iron
 ST = Casted steel
 PL = Steel plate
 L = High, steel



Select a CR A series when you need the best productivity and power.

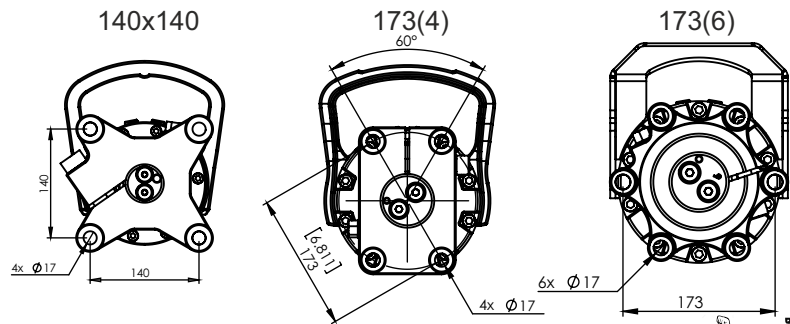
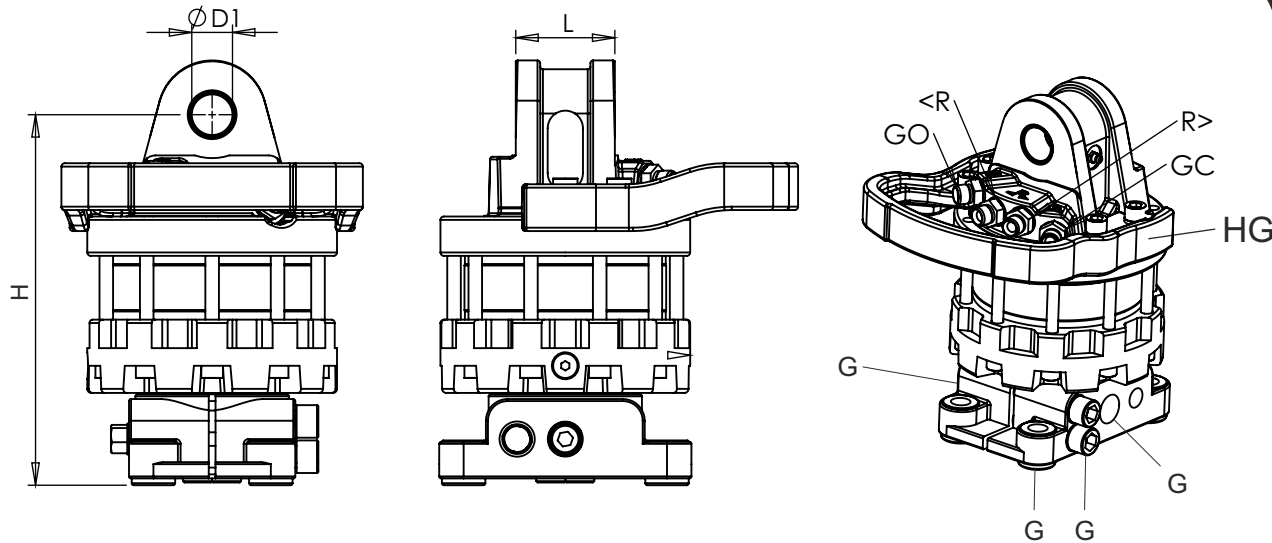
A light-weight and effective hydraulic rotators with unlimited rotation for ATV, agricultural and cargo cranes.

Choose genuine Finn-Rotor original accessories to ensure smooth working. From the wide variety, you will find all necessary accessories.

get Your crane moving!



www.finn-rotor.com
 info@finn-rotor.com
 +358 14 417 8400
 PL 96, 43101 SAARIJÄRVI
 FINLAND



<R> = Rotation, unlimited, max 250 bar.
 GO = Grapple open line, max 200 bar.
 GC = Grapple close line, max 300 bar

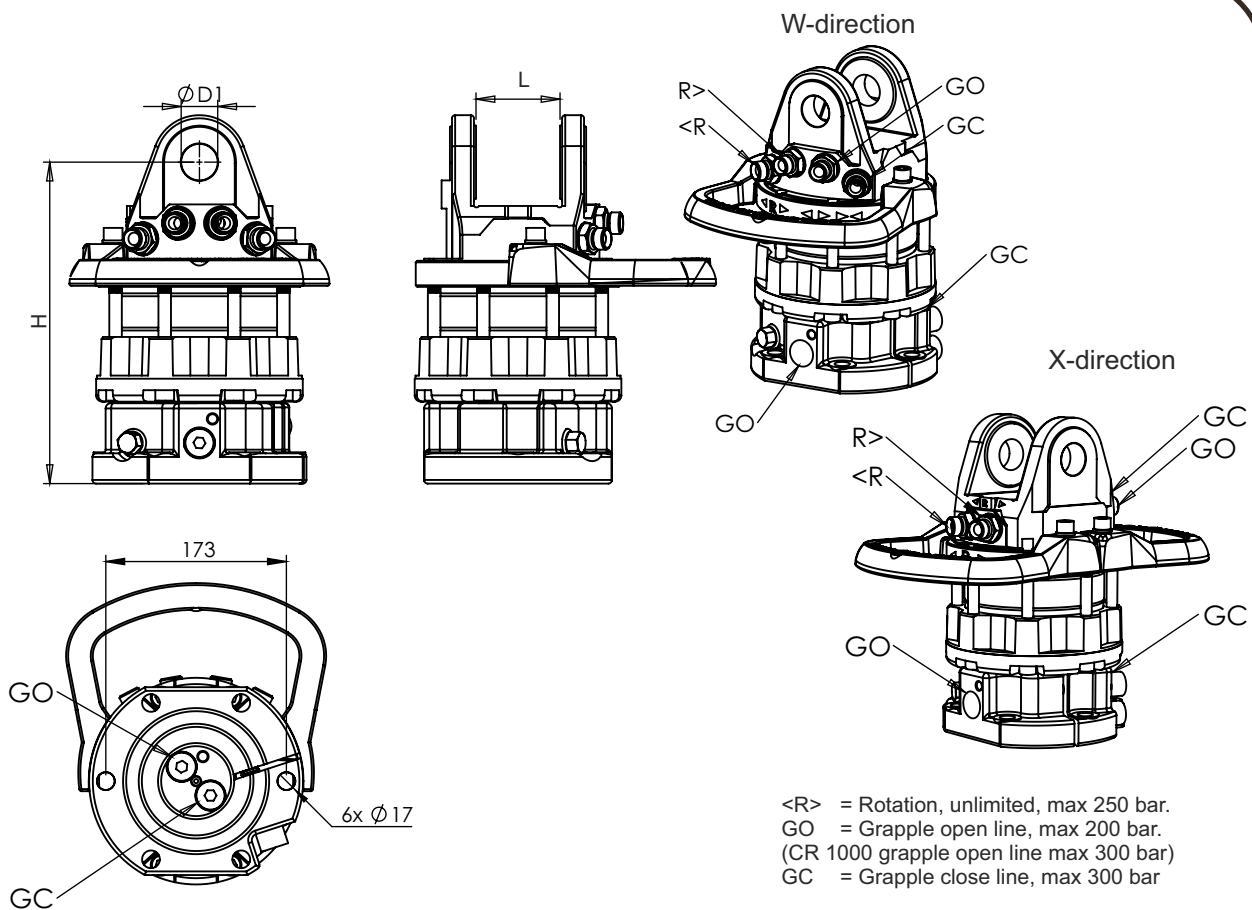
Code	Connectors*	Product	ØD1 mm	L mm	H mm	Nm	kN	kN	kg	TOP shape	HG	Flange
70305	-222	CR 300-W25F140	25	60	234	900	30	15	22	⊗	ST(S,L)	140x140
70306	-222	CR 300-W25F173	25	60	234	900	30	15	22	⊗	ST(S,L)	173(4)
70321	-222	CR 320-W25F140	25	60	245	900	30	15	28	⊗	S(PL)	140x140
70405	-222	CR 400-W25F140	25	73	247,5	1100	45	25	28	⊗	ST(S,L)	140x140
70407	-222	CR 400-W25F140(D68)	25	73	266,5	1100	55	25	33	⊗	ST(S,L)	140x140
70408	-222	CR 400-W25F173(D68)	25	73	266,5	1100	55	25	33	⊗	ST(S,L)	173(4)
70412	-222	CR 400-W30F173(D68)	30	73	266,5	1100	55	25	33	⊗	ST(S,L)	173(4)
70409	-222	CR 400-W25F173	25	73	247,5	1100	45	25	28	⊗	ST(S,L)	173(4)
70411	-222	CR 400-W30F173	30	73	247,5	1100	45	25	28	⊗	ST(S,L)	173(4)
70505	-222	CR 500-W30F173	30	73	273	1400	55	25	35	⊗	ST(S,L)	173(4)
70506	-222	CR 500-W30F140	30	73	273	1400	55	25	35	⊗	ST(S,L)	140x140
70507	-222	CR 500-W30F173(6)	30	73	273	1400	55	25	35	⊗	ST(SL)	173(6)

Flange
 Upper cover GO/GC
 <R>

Connectors:
 1=BSP 1/4" 2=BSP 3/8" 3=BSP 1/2"
 4=JIC 9/16-18 5=JIC 3/4-16 8=DIN M18x1,5
 9=DIN M22x1,5 0=Plastig plug S=Steel plug
 *) "standard", other versions also available

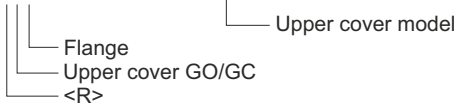
HG (Hose guard)
 S = Standard, cast iron
 ST = Casted steel
 PL = Steel plate
 L = High, steel,
 Options marked = (x,y)





<R> = Rotation, unlimited, max 250 bar.
 GO = Grapple open line, max 200 bar.
 (CR 1000 grapple open line max 300 bar)
 GC = Grapple close line, max 300 bar

Code	Connectors*	Product	ØD1 mm	L mm	H mm	Nm	kN	kN	kg	TOP shape	HG	Flange
70508	-222	CR 500-WU35F173	35	80	281	1400	55	25	35		ST(S,L)	173
70600	-333	CR 600-X35F173	35	80	308	1800	60	30	50		S(L)	173
70601	-333	CR 600-W35F173	35	80	292	1800	60	30	48		S(L)	173
70610	-333	CR 600-W35B173	35	80	314	1800	60	30	50		S(L)	173
71002	-333	CR 1000-X35F173	35	80	325,5	2700	100	50	65		S(L)	173
71003	-333	CR 1000-W35F173	35	80	325,5	2700	100	50	62		S(L)	173



Upper cover model

Connectors:
 1=BSP 1/4" 2=BSP 3/8" 3=BSP 1/2"
 4=JIC 9/16-18 5=JIC 3/4-16 8=DIN M18x1,5
 9=DIN M22x1,5 0=Plastig plug S=Steel plug

*) "standard", other versions also available

HG (Hose guard)
 S = Standard, cast iron
 ST = Casted steel
 PL = Steel plate
 L = High, steel,
 Options marked = (x,y)



Select a CR F series when you need the best productivity and power.

A light-weight and effective hydraulic rotators with unlimited rotation for garco and forest cranes.

Choose genuine Finn-Rotor original accessories to ensure smooth working. From the wide variety, you will find all necessary accessories.

get Your crane moving!

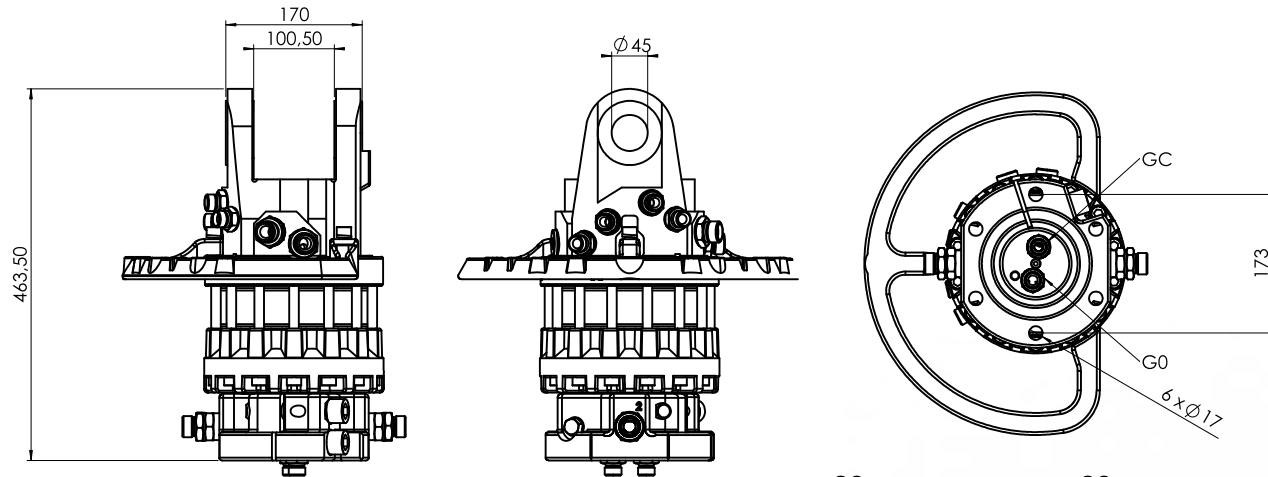


get Your crane moving!

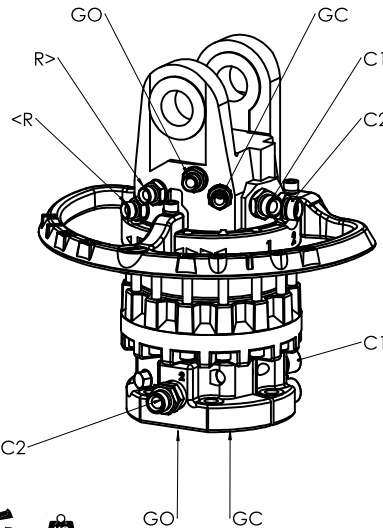
www.finn-rotor.com
 info@finn-rotor.com
 +358 14 417 8400

PL 96, 43101 SAARIJÄRVI
 FINLAND

71221 CRS 1200H-4C-W35F173



- <R> = Rotation, unlimited, max 250 bar.
- GO = Grapple open line, max 200 bar.
- GC = Grapple close line, max 300 bar
- C1 = Working line 1, max 300 bar
- C2 = Working line 2, max 300 bar

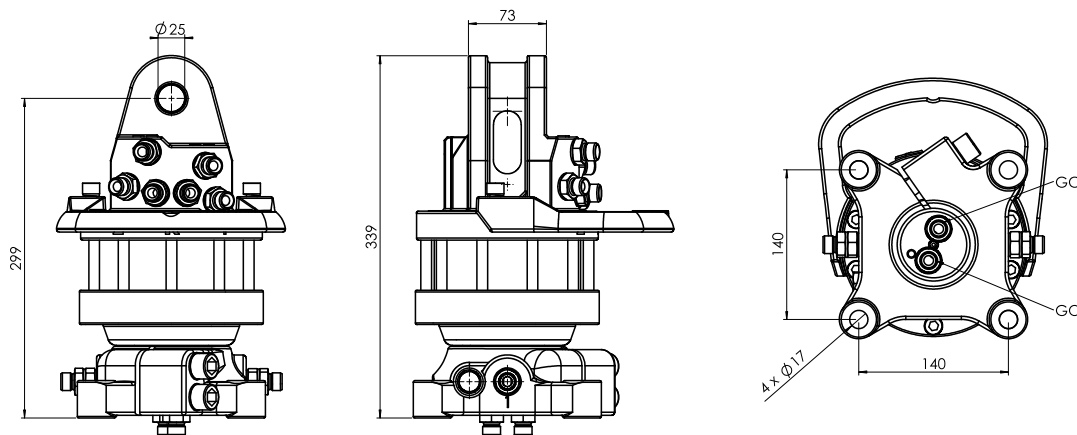


Code	Connectors*	Product	Nm	kN	kN	kg
71221	-333	CRS 1200H-W45F173	2900	120	60	78

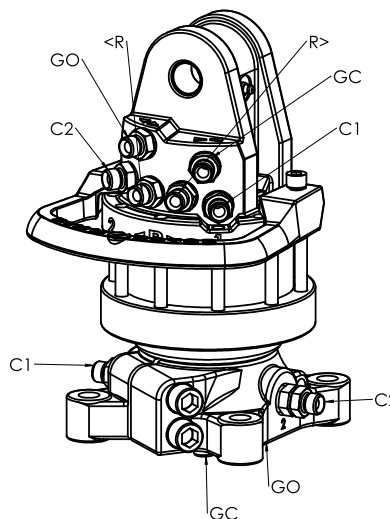
- Flange
- Upper cover GO/GC
- <R>

Connectors:
 1=BSP 1/4" 2=BSP 3/8" 3=BSP 1/2"
 4=JIC 9/16-18 5=JIC 3/4-16 8=DIN M18x1,5
 9=DIN M22x1,5 0=Plastig plug S=Steel plug
 *) "standard", other versions also available

70422 CRS 400-4C-W25F140(D68)



- <R> = Rotation, unlimited, max 250 bar.
- GO = Grapple open line, max 200 bar.
- GC = Grapple close line, max 300 bar
- C1 = Working line 1, max 300 bar
- C2 = Working line 2, max 300 bar



Code	Connectors*	Product	Nm	kN	kN	kg
70422	-222	CRS 400-C4-W25F140(D68)	1100	45	25	36

- Flange
- Upper cover GO/GC
- <R>

Connectors:
 1=BSP 1/4" 2=BSP 3/8" 3=BSP 1/2"
 4=JIC 9/16-18 5=JIC 3/4-16 8=DIN M18x1,5
 9=DIN M22x1,5 0=Plastig plug S=Steel plug
 *) "standard", other versions also available



Select a CR S series when you need a rotators with 4 oil through channel.

A light-weight and effective hydraulic rotators with unlimited rotation for cutting heads and other special solutions.

Choose genuine Finn-Rotor original accessories to ensure smooth working. From the wide variety, you will find all necessary accessories.

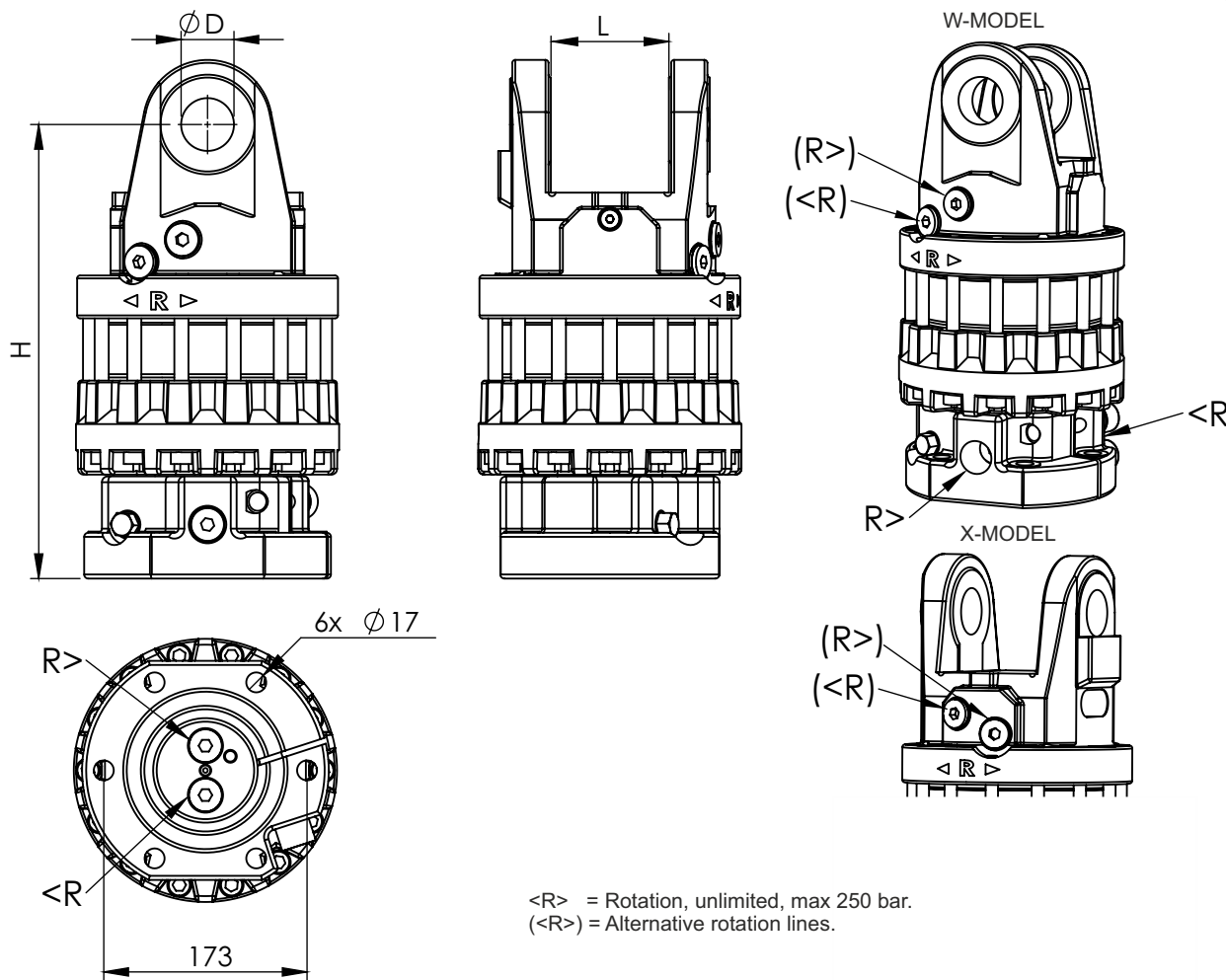
get Your crane moving!



get Your crane moving!

www.finn-rotor.com
 info@finn-rotor.com
 +358 14 417 8400

PL 96, 43101 SAARIJÄRVI
 FINLAND



<R> = Rotation, unlimited, max 250 bar.
 (<R>) = Alternative rotation lines.

Code	Connectors*	Product	ØD1 mm	L mm	H mm	Nm	kN	kN	kg	TOP shape	Flange
70508M	-SS2	CRM 500-WU35F173	35	80	281	1400	55	25	33		173
75810	-SS3	CRM 800H-X35F173	35	80	339	2000	80/-40	40/-20	45		173
70811	-SS3	CRM 800H-W35F173	35	80	339	2000	80/-40	40/-20	45		173
71010	-SS3	CRM 1000H-X35F173	35	80	350,5	2700	100/-80	50/-40	61		173
71011	-SS3	CRM 1000H-W35F173	35	80	350,5	2700	100/-80	50/-40	61		173
71210	-SS3	CRM 1200H-X45F173	45	100	382,5	2900	120/-90	60/-45	71		173
71211	-SS3	CRM 1200H-W45F173	45	100	382,5	2900	120/-90	60/-45	71		173
71610	-SS3	CRM 1600H-X45F173	45	100	386,5	3600	160/-90	80/-45	73		173
71611	-SS3	CRM 1600H-W45F173	45	100	386,5	3600	160/-90	80/-45	73		173

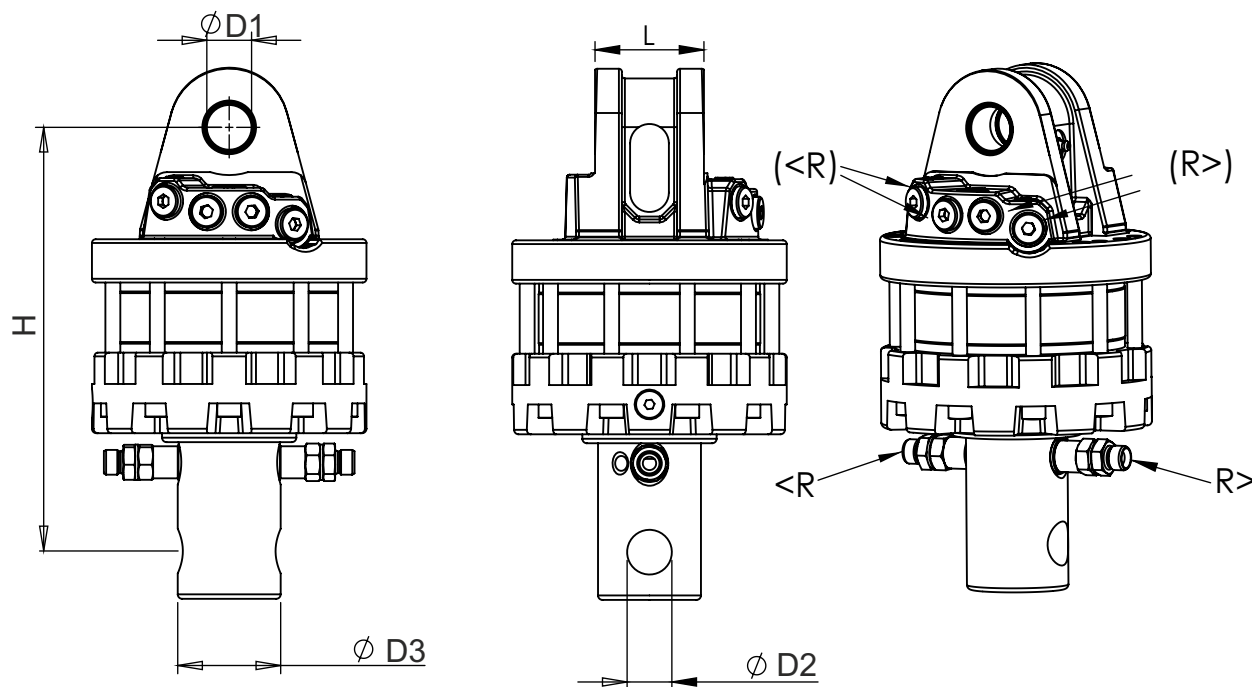
Flange

Upper cover model



ENGLISH CR M ROTATORS

HARVESTER MODELS



<R> = Rotation, unlimited, max 200
 (<R>) = Alternative rotation lines.

Code	Connectors*	Product	ØD1 mm	ØD2 mm	ØD3 mm	L mm	H mm	Nm	kN	kN	kg	TOP shape
70400M -SS2		CRM 400-W35A30	25	30	49,5	73	273	1100	45	25	23	
70500M -SS2		CRM 500-W30A30	30	30	59	73	284	1400	55	25	28	

Shaft

Connectors:

- 1=BSP 1/4" 2=BSP 3/8" 3=BSP 1/2"
- 4=JIC 9/16-18 5=JIC 3/4-16 8=DIN M18x1,5
- 9=DIN M22x1,5 0=Plastig plug S=Steel plug

*) "standard", other versions also available

FINN ROTOR

CR-ROTATORS

Select a CR M series when you need the best productivity and power.

A light-weight and effective hydraulic rotators with unlimited rotation for harvester use.

Choose genuine Finn-Rotor original accessories to ensure smooth working. From the wide variety, you will find all necessary accessories.

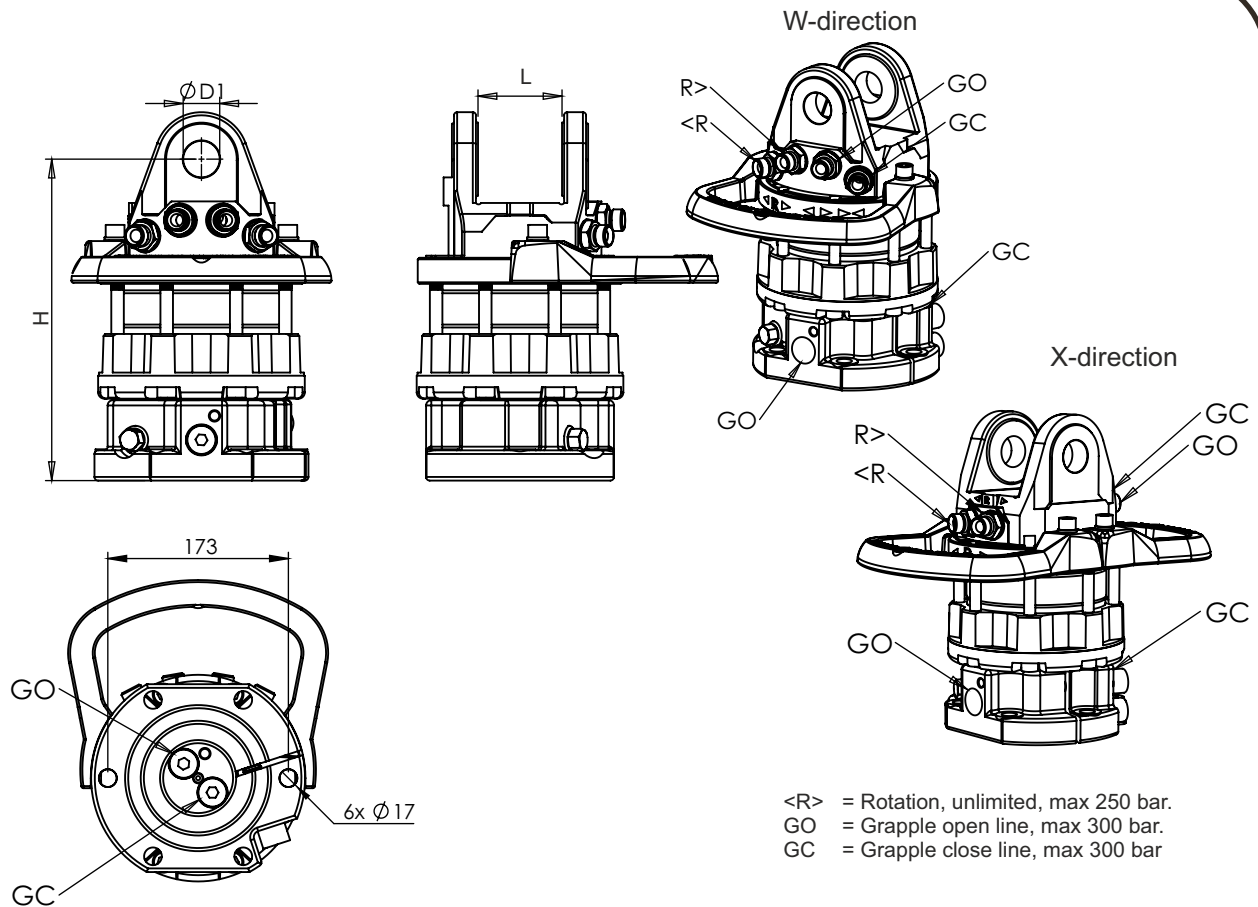
get Your crane moving!

FINN ROTOR

get Your crane moving!

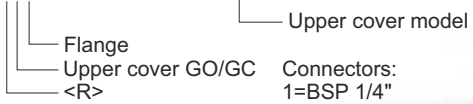
www.finn-rotor.com
 info@finn-rotor.com
 +358 14 417 8400

PL 96, 43101 SAARIJÄRVI
 FINLAND



<R> = Rotation, unlimited, max 250 bar.
 GO = Grapple open line, max 300 bar.
 GC = Grapple close line, max 300 bar

Code	Connectors*	Product	ØD1 mm	L mm	H mm	Nm	kN	kN	kg	TOP shape	HG	Flange
70800	-333	CRH 800-X35F173	35	80	339	2000	80/-40	40/-20	54		S(L)	173
70801	-333	CRH 800-W35F173	35	80	339	2000	80/-40	40/-20	51		S(L)	173
71000	-333	CRH 1000-X35F173	35	80	350,5	2700	100/-80	50/-40	67		S(L)	173
71001	-333	CRH 1000-W35F173	35	80	350,5	2700	100/-80	50/-40	64		S(L)	173
71200	-333	CRH 1200-X45F173	45	100	382,5	2900	120/-90	60/-45	79		S(L)	173
71201	-333	CRH 1200-W45F173	45	100	382,5	2900	120/-90	60/-45	76		S(L)	173
71600	-333	CRH 1600-X45F173	45	100	386,5	3600	160/-90	80/-45	79		S(L)	173
71601	-333	CRH 1600-W45F173	45	100	386,5	3600	160/-90	80/-45	76		S(L)	173
71602	-333	CRH 1600-W50.8F204	50,8	103,2	386,5	3600	160/-90	80/-45	79		S(L)	204



Connectors:
 1=BSP 1/4" 2=BSP 3/8" 3=BSP 1/2"
 4=JIC 9/16-18 5=JIC 3/4-16 8=DIN M18x1,5
 9=DIN M22x1,5 0=Plastig plug S=Steel plug
 *) "standard", other versions also available

HG (Hose guard)
 S = Standard, cast iron
 ST = Casted steel
 PL = Steel plate
 L = High, steel,
 Options marked = (x,y)



ENGLISH CR H ROTATORS

HEAVY-DUTY MODELS

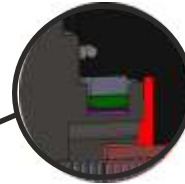
Two component painting guarantee high quality surface and good protection

High volume with multi-stator construction gives a good efficiency.



Roller bearing in upper cover takes negative axial forces.

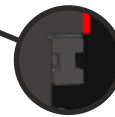
Axial end pressure unloading internally.



Slide bearing in upper and lower cover allow radial forces.

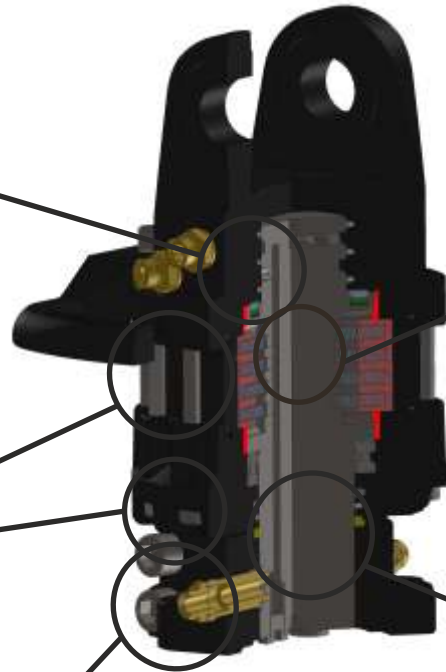


Oil connections for grapple on the bottom or side of flange.



Roller bearing allows for a high axial load.

Three seals solution in lower cover gives long life time.



Select a CR H series when you need a superior performance and driving precision.

A light-weight and effective hydraulic rotators with unlimited rotation for heavy duty cranes.

Choose genuine Finn-Rotor original accessories to ensure smooth working. From the wide variety, you will find all necessary accessories.

get Your crane moving!

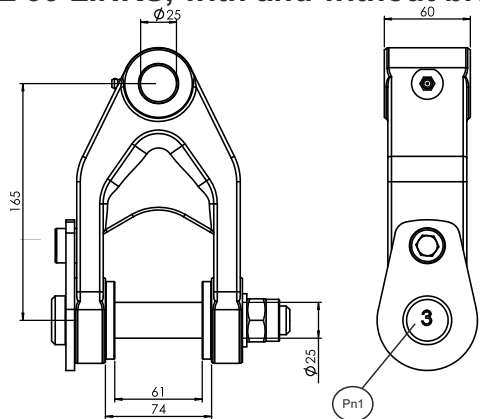


get Your crane moving!

www.finn-rotor.com
info@finn-rotor.com
+358 14 417 8400

PL 96, 43101 SAARIJÄRVI
FINLAND

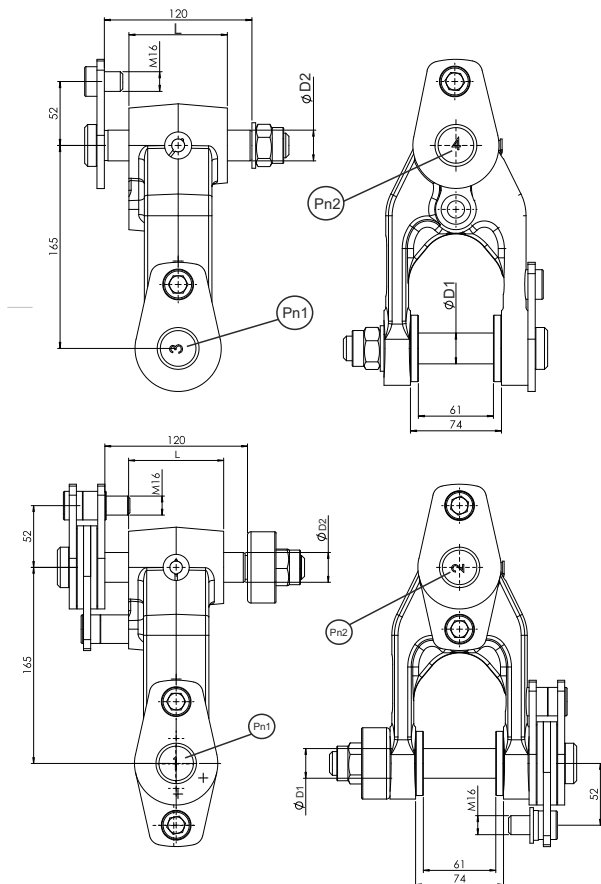
CL 60 LINKS, with and without brake



Max axial load static 45 kN
 Max axial load dynamic 25 kN
 Weight 6 kg
 Braking force (option) 120 Nm

Order no 70441-400
 70440-400
Item name LINK CL 7325-6025
 BRAKELINK CBL 7325-6025

CL 73 LINKS, with and without brake



Max axial load static 55 kN
 Max axial load dynamic 25 kN
 Weight 8-11 kg
 Braking force (option) 120 Nm

Order no	Item name	L	D1	D2
70448-xB	LINK CL 7325-8025	80	25	25
70443-xB	LINK CL 7325-9025	90	25	25
70444-xB	LINK CL 7325-8030	80	25	30
70445-xB	LINK CL 7325-9030	90	25	30
70449-xB	LINK CL 7330-8030	80	30	30
770443-xB	LINK CL 7330-9030	90	30	30
704432-xB	LINK CL 7330-9025	90	30	25

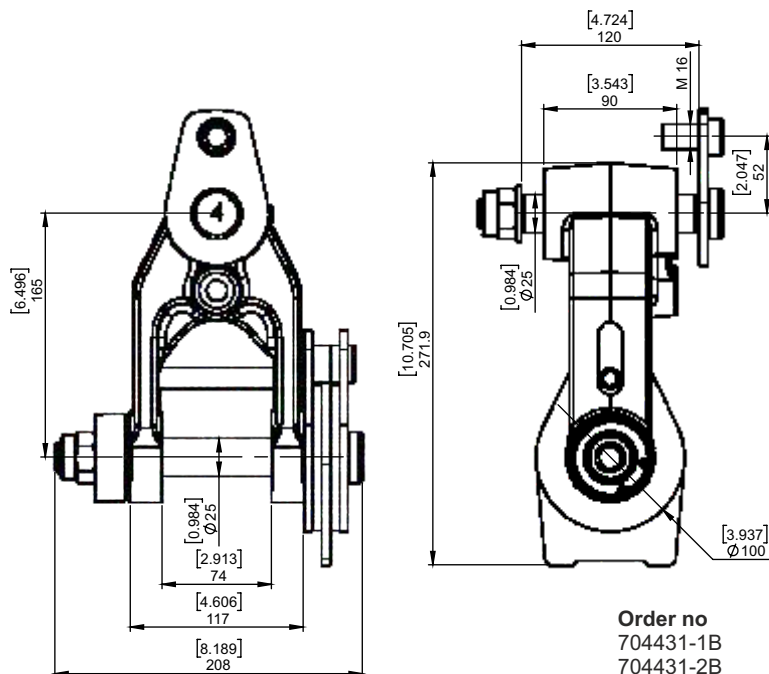
x) number of brakes
 0= no brakes
 1= lower brake
 2= double brake (lower and upper brake)



ENGLISH CL 60 AND 73 LINKS

4,5 - 5,5 TON LINKS

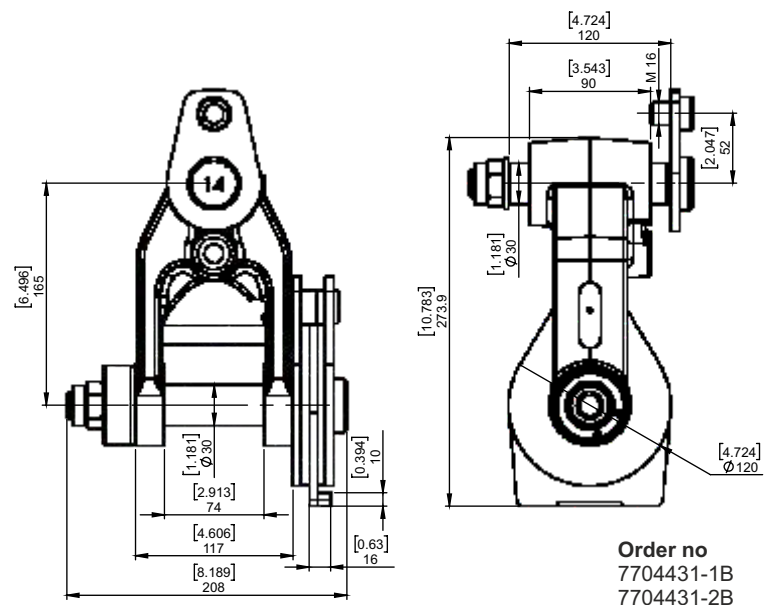
CBL 7325-9025(D100) for CR 400 rotators



Max axial load static	45 kN
Max axial load dynamic	25 kN
Weight	11 kg
Braking force (lower brake)	150 Nm
Braking force (upper brake)	120 Nm

Order no	Item name
704431-1B	BRAKELINK CBL 7325-9025(D100)
704431-2B	DOUBLE BRAKELINK CDBL 7325-9025(D100)

CBL 7330-9030(D120) for CR 500 rotators



Max axial load static	45 kN
Max axial load dynamic	25 kN
Weight	12 kg
Braking force (lower brake)	200 Nm
Braking force (upper brake)	120 Nm

Order no	Item name
7704431-1B	BRAKELINK CBL 7330-9030(D120)
7704431-2B	DOUBLE BRAKELINK CDBL 7330-9030(D120)

FINN ROTOR
CR-ROTATORS

Select a CL SERIES links, with or without brakes, when you need the best loading control.

Choose genuine Finn-Rotor original accessories to ensure smooth working. From the wide variety, you will find all necessary accessories.

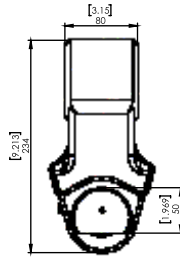
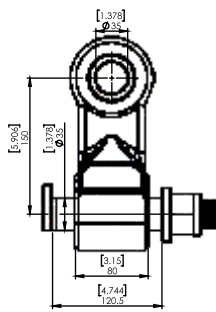
FINN ROTOR

get Your crane moving!

WWW.FINN-ROTOR.COM
INFO@FINN-ROTOR.COM
+358 14 417 8400

PL 96,43101 SAARIJÄRVI
FINLAND

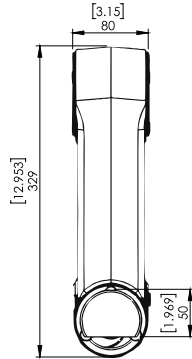
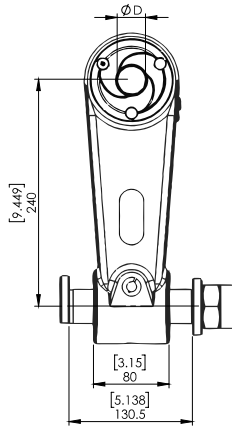
LINK CL 8035(L150)



Item 704461-0B
Item name LINK CL 8035(L150)

Upper connection
L80 D35

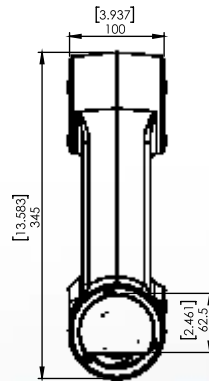
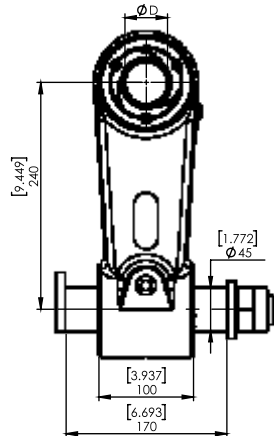
LINK CL 8035



Item 70446-0B
70446-0B35
70446-0B40
70446-0B45
Item name LINK CL 8035
LINK CL 8035-8035
LINK CL 8035-8040
LINK CL 8035-8045

Upper connection
All kit
L 80 D 35
L 80 D 40
L 80 D 45

LINK CL 100



Item 70447-0B
70447-0B45
70446-0B50
Item name LINK CL 100
LINK CL 10045-10045
LINK CL 10050-10050

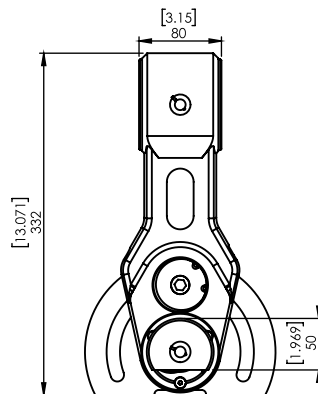
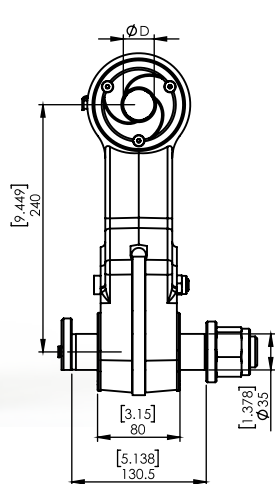
Upper connection
All kit
L 100 D 45
L 100 D 50



ENGLISH CL 80 AND 100 LINKS

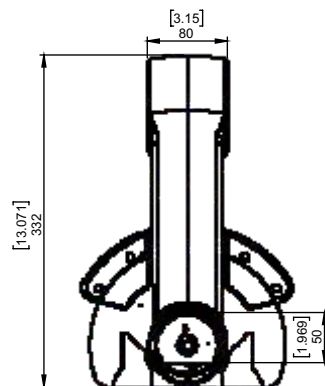
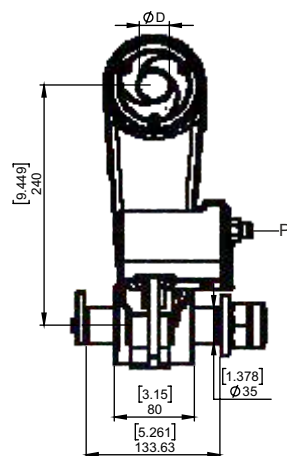
6-10 TON LINKS

LINK CBL 8035



Item	Item name	Upper connection		
704462-1B	LINK CBL 8035	All kit	Max axial load static	100 kN
704462-1B35	LINK CBL 8035-8035	L 80 D 35	Max axial load dynamic	50 kN
704462-1B40	LINK CBL 8035-8040	L 80 D 40	Weight	22 kg
704462-1B45	LINK CBL 8035-8045	L 80 D 45	Braking force	250 Nm

LINK CBLA 8035



Item	Item name	Upper connection		
70446-1B	LINK CBLA 8035	All kit	Max axial load static	100 kN
70446-1B35	LINK CBLA 8035-8035	L 80 D 35	Max axial load dynamic	50 kN
70446-1B40	LINK CBLA 8035-8040	L 80 D 40	Weight	22 kg
70446-1B45	LINK CBLA 8035-8045	L 80 D 45	Control pressure (P)	0-75 bar
			Max braking force	600 Nm
			Active brake range	0-780 Nm
			Passive brake range	0-350 Nm

FINN ROTOR

CR-ROTATORS

CL 80 ja 100 -sarjan riipukkeet ovat suunniteltu 10t ja 16t rotaattori käyttöihin.

Valitse CL sarjan riipukkeet kun haluat kestävyyttä. Taattu teräs runko, karkaistut hiotut tapit ja liukulaakeroidut pinnat takaavat pitkän elinkaaren.

Valitse alkuperäiset Finn-Rotor lisävarusteet taataksesi täydellisen yhteensopivuuden. Laajasta valikoimasta löydät kaikki tarvitsemasi varusteet.

FINN ROTOR

get Your crane moving!

WWW.FINN-ROTOR.COM
INFO@FINN-ROTOR.COM
+358 14 417 8400

PL 96,43101 SAARIJÄRVI
FINLAND